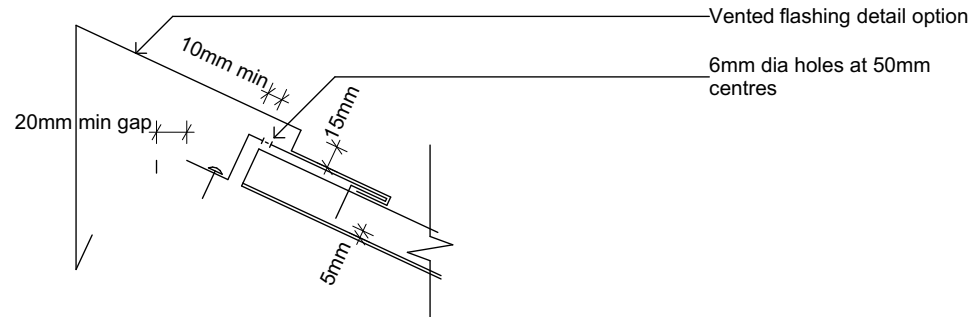
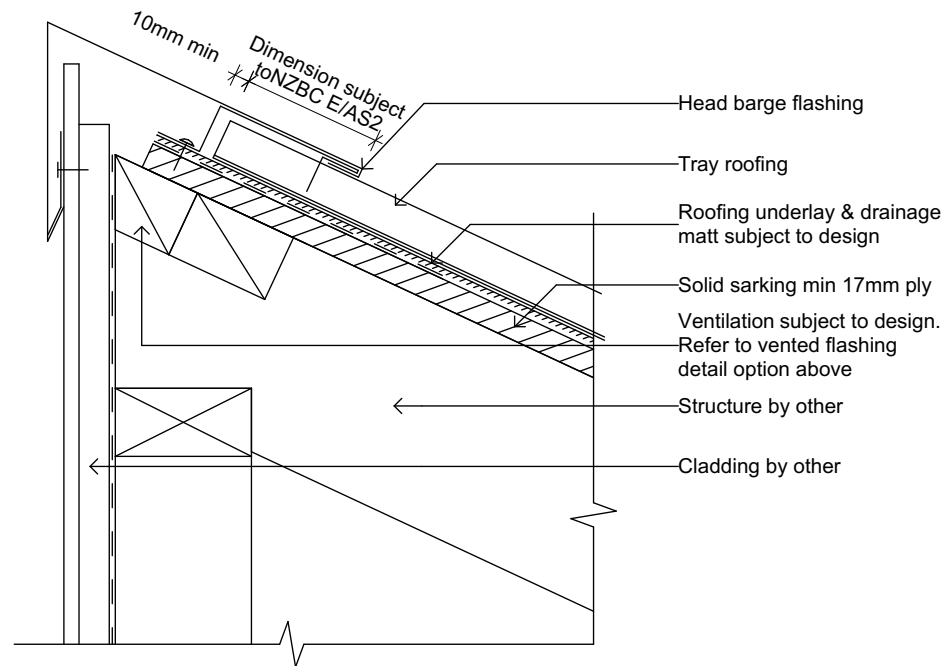


Vented Flashing Detail Option



Vented Flashing Detail Option




 Architectural Cladding and Roofing  
 ICONICCLADDING.COM

<b>Iconic Tray Roofing</b>  <b>Head Barge Detail</b> Suitable for:	<ul style="list-style-type: none"> <li>- Iconic angle seam</li> <li>- Iconic double S seam</li> <li>- Iconic batten cap</li> <li>- Iconic flat lock</li> <li>- Iconic snap lock</li> </ul>	Scale: 1:5 @ A4	Reference: IC_ITR_03
		Date: 28.08.2024	
		Issue:	